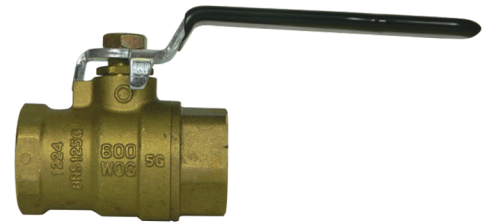


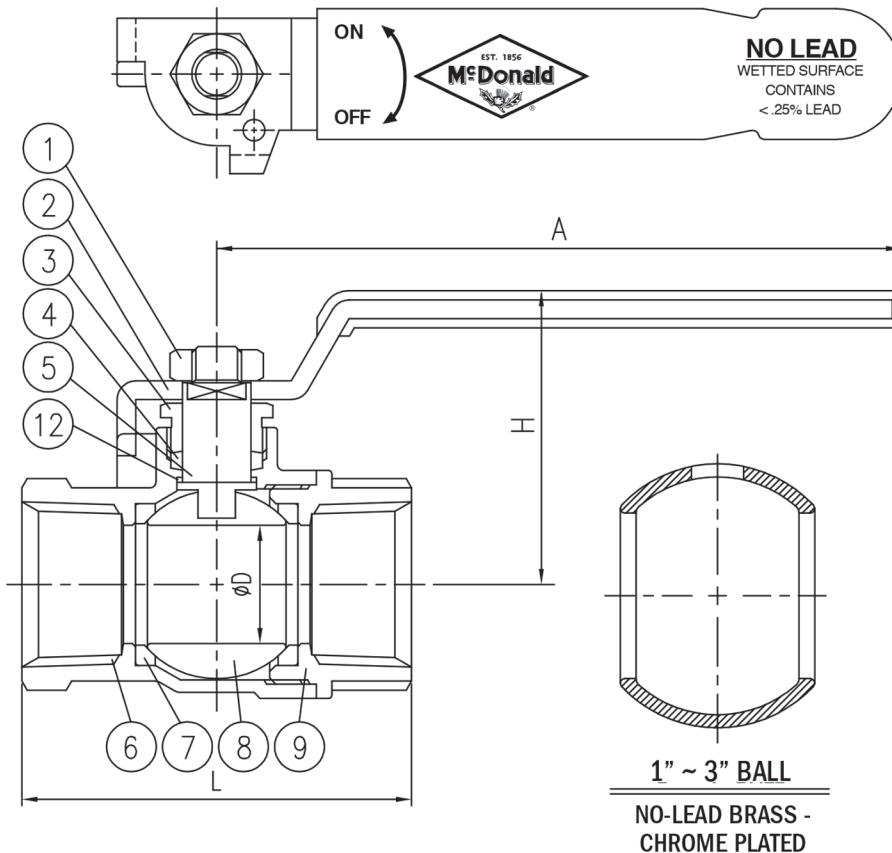
SUBMITTAL DATA SHEET

No-Lead Ball Valves Full Port Ball Valve - 72032T

Inlet: FNPT x Outlet: FNPT



A.Y. McDonald Mfg. Co. No-Lead Full Port Ball Valves are constructed from heavy duty no-lead brass and can be used with a full range of liquids and gases in commercial, industrial, and residential applications. Full port valves allow for maximum flow with minimum pressure drop.



Dimensions

Size	L	H	D	A
1/4"	1.69	1.26	.35	2.36
3/8"	1.81	1.46	.39	3.15
1/2"	2.13	1.50	.50	3.15
3/4"	2.48	1.85	.75	4.33
1"	2.99	2.05	.98	4.33
1 1/4"	3.35	2.36	1.26	5.12
1 1/2"	3.62	2.56	1.50	5.12
2"	4.25	3.11	1.97	7.87
2 1/2"	5.16	3.50	2.48	7.87
3"	5.91	3.82	2.95	7.87

Materials

No.	Part	Material
1	Nut	Steel
2	Handle	Steel
3	Stem Gland Screw	Brass
4	Stem Packing	Teflon
5	Stem	Brass
6	Body	No-Lead Brass
7	Ball Disc Packing	Teflon
8	Ball	No-Lead Brass - Chrome Plated
9	End piece	No-Lead Brass

SUBMITTAL INFORMATION

- 600 WOG
- Sizes: 1/4", 3/8", 1/2", 3/4", 1", 1 1/4", 1 1/2", 2", 2 1/2" & 3"
- NSF / ANSI 61 Annex G & F
- Manufactured to MSS-SP-110
- Threads conform to ANSI B1.20.1
- Blow out proof stem
- Complies with NSF/ANSI 372-2010
- CSA approved 1/2" - 2"



B16.44
5 PSIG

NO-LEAD: The weighted average of the wetted surface of this no-lead product contacted by consumable water contains less than one quarter of one percent (0.25%) lead.



A.Y. McDonald Mfg. Co.
P.O. Box 508
Dubuque, IA 52004-0508

Toll Free: 1-800-292-2737
Fax: 1-800-832-9296
Hours: 7:00 a.m. - 5:00 p.m., CST

sales@aymcdonald.com
www.aymcdonald.com

A.Y. McDonald considers the information on this assembly drawing correct when published. Item and option availability, including specifications, are subject to change without notice.

Submitted by: